



A Polyhydon Group Company

RADIAL PISTON PUMPS 1R3

ENGINEERING

1

Ref. No. P04931

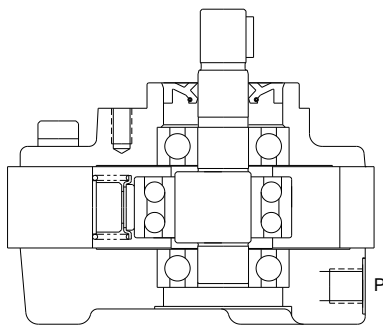
Release 08/2011

Description

Radial piston arrangement, with 3 pumping elements,
Oil immersed type, Open execution, Face mounting,
Valve controlled, Fixed delivery, Bi-directional rotation
of shaft.



Section

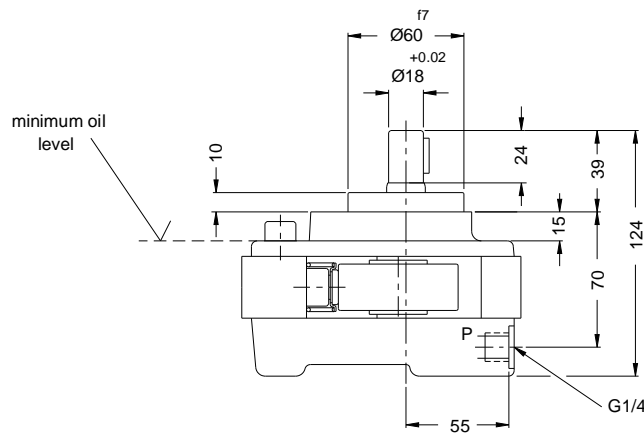


Hydraulic symbol



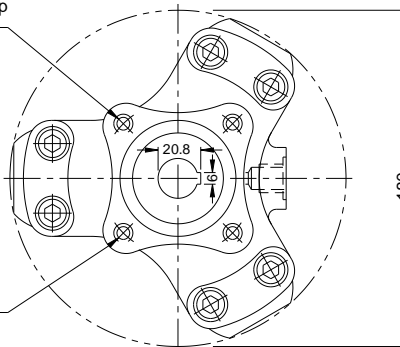
Unit dimension

Dimensions in mm.



M8 x 1.25, 12 deep
on 80 p.c.d.
4 Nos.

Tightening Torque
5 kg-m



Polyhydon Pvt. Ltd.

78-80, Machhe Industrial Estate,
Machhe. Belgaum - 590 014. INDIA.

Phone : +91-(0)831-2411001
Fax : +91-(0)831-2411002
E-mail : polyhydon@gmail.com
Website : www.polyhydon.com

P04931



A Polyhydon Group Company

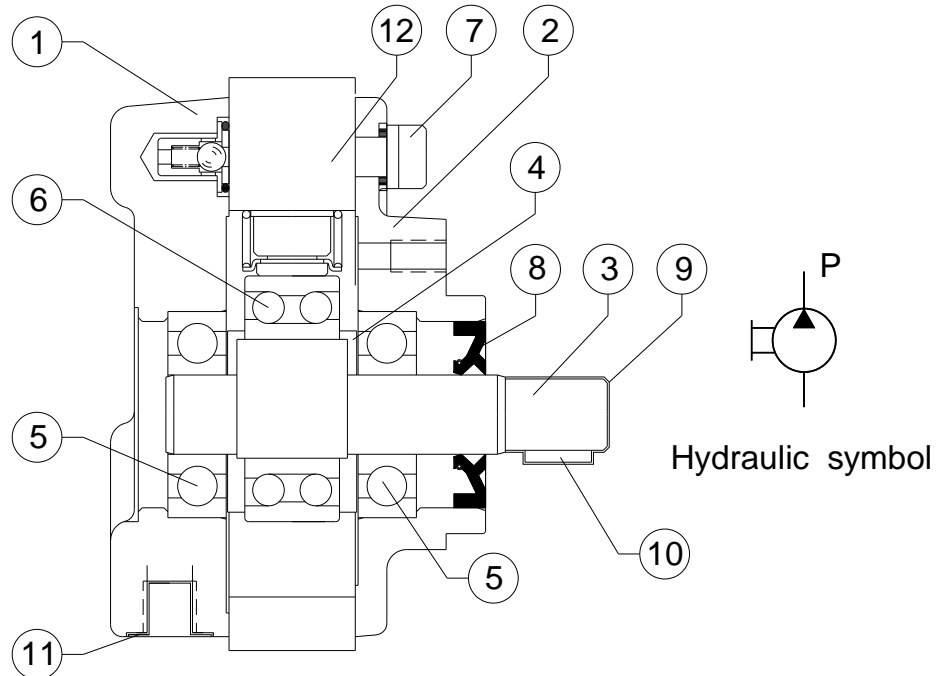
RADIAL PISTON PUMPS 1R3

SERVICE

3

Ref. No. P04931

Sectional view and Part list



Sl.No.	Description	Part No.	Size	Qty.
1	Valve plate	11203		1
2	Cover plate	11223		1
3	Shaft	11241		1
4	Balancing Plate	11251		2
5	Bottom Bearing	11261	6304	2
6	Centre Bearing.	11262	3206	1
7	Cap Screw	11271	M10 x 55 L	6
* 8	Rotary shaft seal	11277	20 x 47 x 8	1
9	Plastic Cap	11284	1R (Shaft)	1
10	Shaft Key	11292	6 x 6 x 16 L	1
11	Rubber Port Plug	00011	G 1/4 Plug Cap	1
Sl.No.	Description	Product	Qty.	
12	Pump element assly. (Refer Data Sheet No. D 11100)	1R-A-01 1R-B-01 1R-C-01 1R-D-01 1R-E-01 1R-F-01	3	

Note : Specified part numbers are available as spares.
* Recommended seal kit.



A Polyhydron Group Company

RADIAL PISTON PUMPS
1R3

SERVICE

4

Ref. No. P04931

All rights reserved.
Subject to revision.

P04931