



PRESSURE CONTROL MODULE PCM 20-06 & PCM 20-10

ENGINEERING

1

Ref. No. P06793

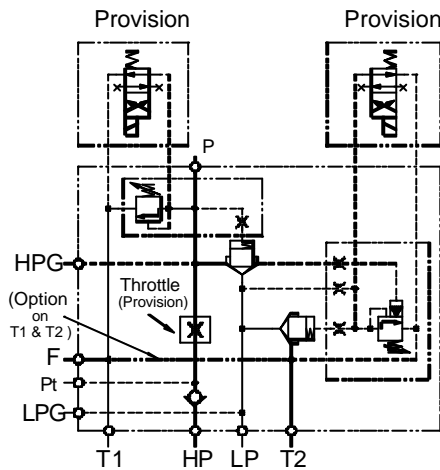
Release 04/2009

Description

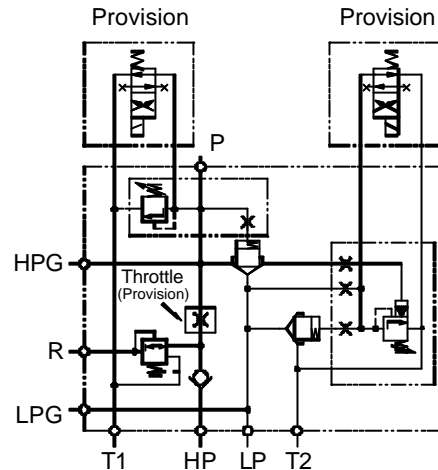
Designed to control Double pumps of Hi-Low system. Unloads low pressure pump when system pressure rises above the pressure set on Unloader valve. Relieves high pressure pump when system pressure reaches the value. Solenoid unloading facility available as an option.



Hydraulic symbol



PCM20/06 and PCM20/10 with filter port on high pressure line



PCM20/06 and PCM20/10 with provision for mounting pressure reducing valve DPM*06*A-01*

Connection details

HP	----	High pressure pump connection.
LP	----	Low pressure pump connection.
P	----	Out-let connection.
HPG	----	Gauge connection on high pressure pump line.
LPG	----	Gauge connection on low pressure pump line.
Pt	----	Pilot pressure connection (Optional).
T1	----	Tank connection of high pressure relief valve.
T2	----	Tank connection of low pressure unloading valve.
F	----	Filter port connection (T1 & T2).
R	----	Outlet connection (reduced pressure)

Polyhydron Pvt. Ltd.
78-80, Machhe Industrial Estate,
Machhe, Belgaum - 590 014. INDIA.

Phone : +91-(0)831-2411001
Fax : +91-(0)831-2411002
E-mail : polyhydron@gmail.com
Website : www.polyhydron.com



**PRESSURE CONTROL MODULE
PCM 20-06 & PCM 20-10**

ENGINEERING

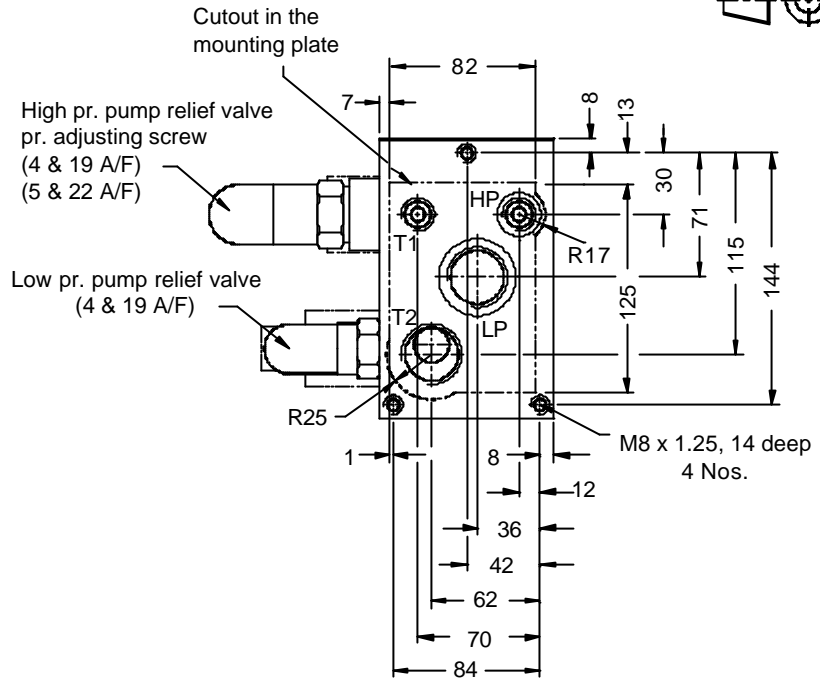
2

Ref. No. P06793

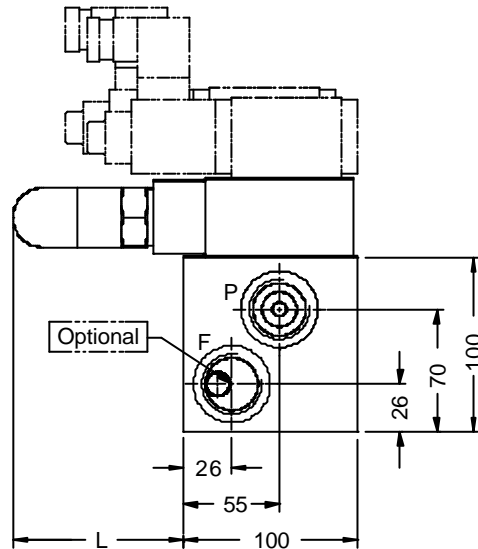
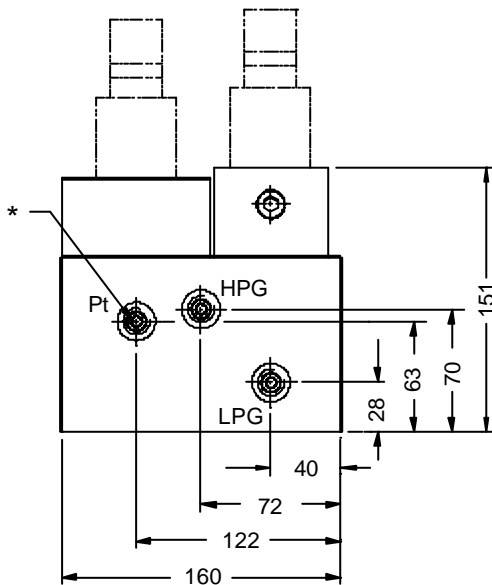
Unit dimension

PCM 20/06 and PCM 20/10 with provision for filter port

Dimensions in mm.



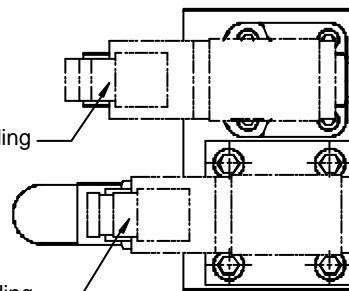
Port	Details
HP	G1/2
LP	G1
P	G1
Pt	G1/4
HPG	G1/4
LPG	G1/4
T1	G1/2
T2	G1
F	G1



* : Open this plug to insert throttle in high pr. line (not fixed in the module unless specified) Throttle size 1/8" NPT

Model	L
PCM20/06	83
PCM20/10	98

Solenoid valve for unloading low pr. pump (by venting) Provision



Solenoid valve for unloading high pr. pump (by venting) Provision



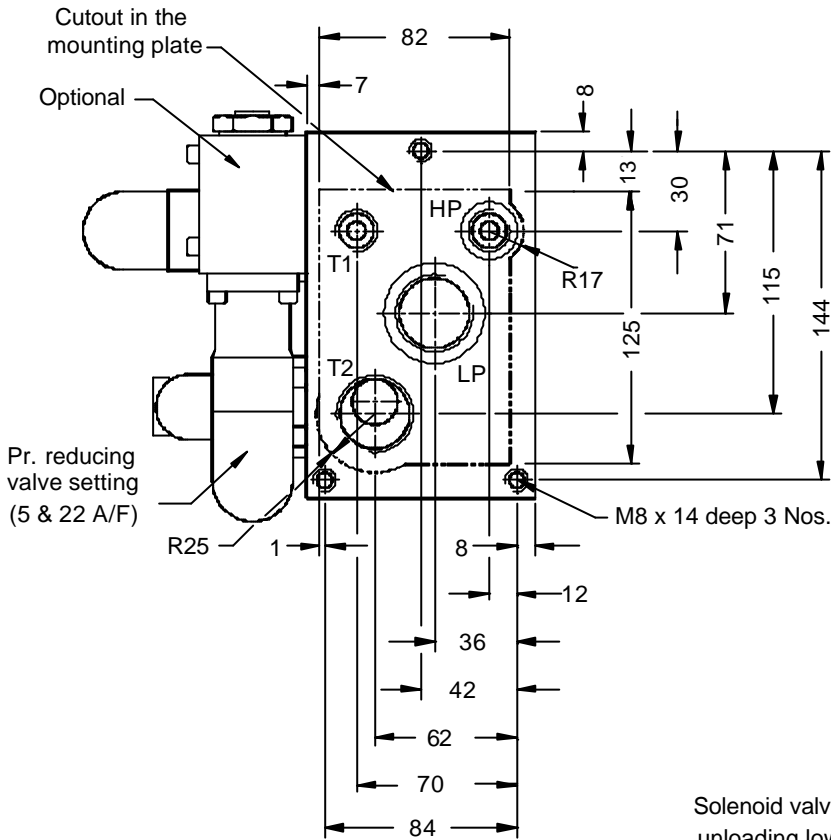
**PRESSURE CONTROL MODULE
PCM 20-06 & PCM 20-10**

ENGINEERING

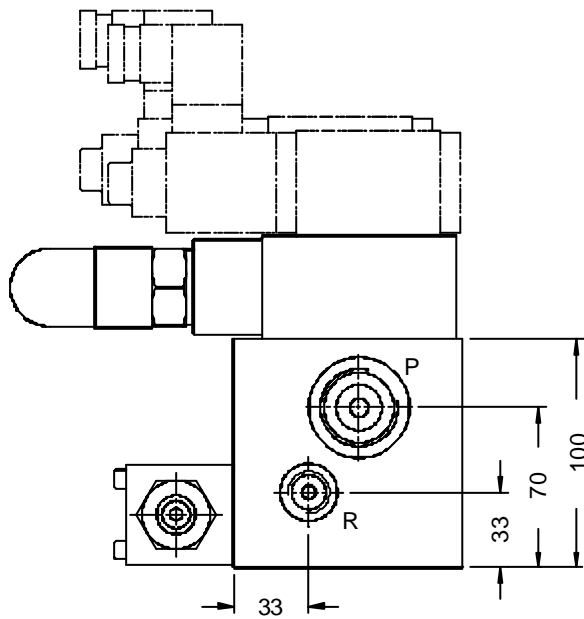
3

Ref. No. P06793

PCM 20/06 and PCM 20/10 with provision for mounting pressure reducing valve DPM*06*A-01-*

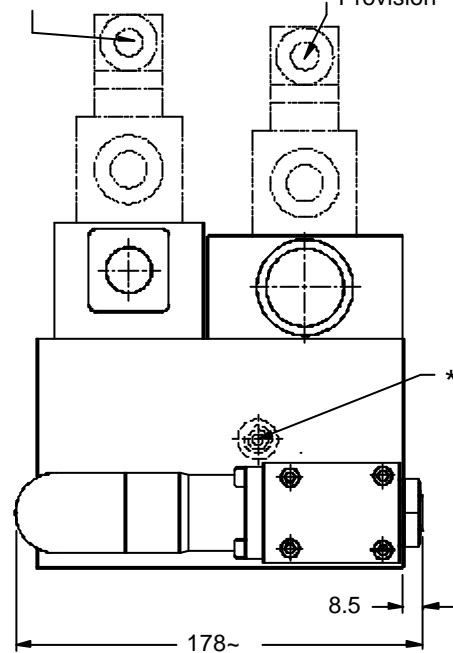


Port	Details
HP	G1/2
LP	G1
P	G1
HPG	G1/4
LPG	G1/4
T1	G1/2
T2	G1
R	G1/4



Solenoid valve for unloading low pr. pump (by venting)
Provision

Solenoid valve for unloading high pr. pump (by venting)
Provision



Note : Optional and Solenoid to be ordered separately.

* : Open this plug to insert throttle in high pr. line (not fixed in the module unless specified) Throttle size 1/8" NPT



**PRESSURE CONTROL MODULE
PCM 20-06 & PCM 20-10**

ENGINEERING

4

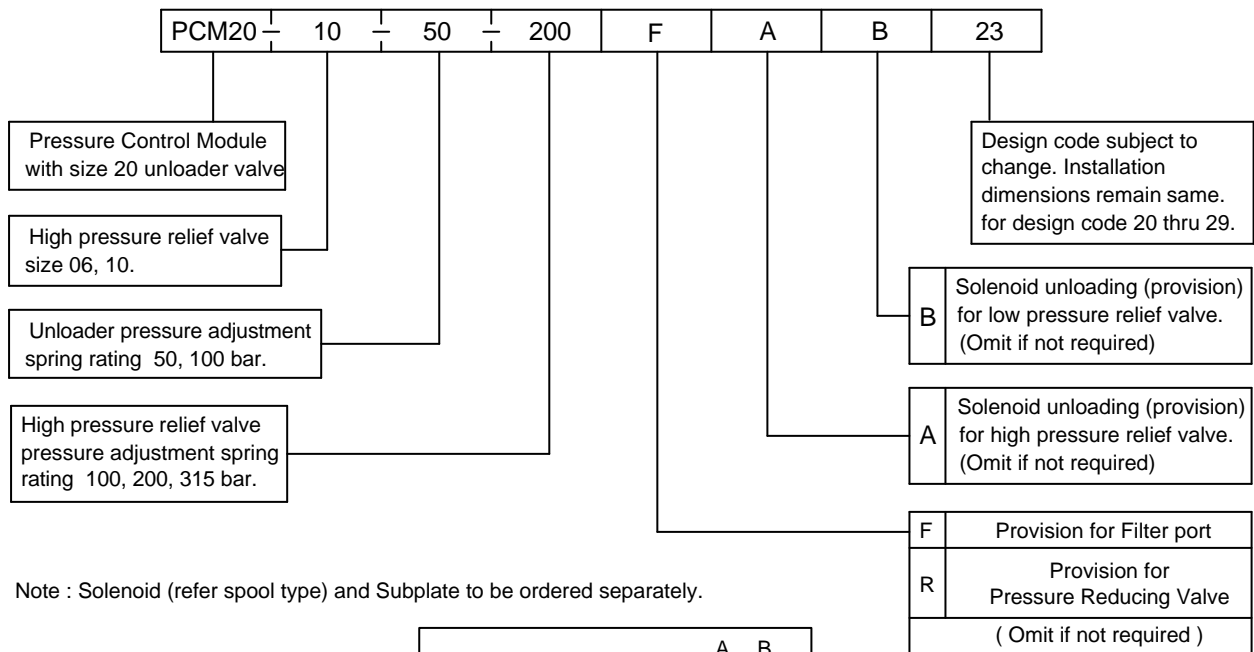
Ref. No. P06793

Technical specification

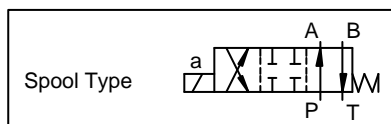
<p>Constructi- on PCM 20/06 and PCM 20/10</p> <p>Mounting</p> <p>Mounting position</p> <p>Flow direction</p> <p>Operating pressure</p> <p>Hydraulic medium</p> <p>Viscosity range</p> <p>Fluid temperature range</p> <p>Fluid cleanliness requirement</p> <p>Maximum flow handling capacity</p> <p>Mass</p>	<p>Direct acting poppet type high pressure relief valve Two stage poppet type low pressure unloading valve. All valves fitted in cavities machined as per ISO7368</p> <p>Threaded bodies : company standards.</p> <p>Optional.</p> <p>As per hydraulic symbol.</p> <p>For low pressure pump 50 and 100 bar. For high pressure pump 100, 200, 315 bar.</p> <p>Mineral oil.</p> <p>10 cSt to 380 cSt.</p> <p>-20 °C to +70 °C.</p> <p>As per ISO 16/13.</p>
---	---

Model	High pressure	Low pressure
PCM 20/06	25 l / min.	160 l / min.
PCM 20/10	60 l / min.	160 l / min.

Ordering code



Note : Solenoid (refer spool type) and Subplate to be ordered separately.



All rights reserved.
Subject to revision.