



THROTTLE / CHECK VALVE MODULAR CONSTRUCTION TCM 06

ENGINEERING

1

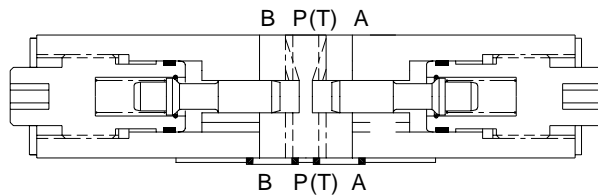
Ref. No. P05973
Release 11/2001

Description

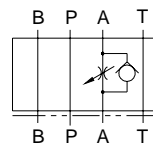
Double Throttle / Check valve.
Non pressure compensated.
Modular construction.
Can be used for METER-OUT or METER-IN applications.
Interface conforming to ISO, IS & DIN.



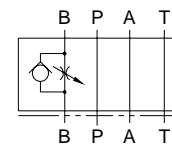
Section



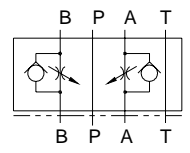
Hydraulic Symbol



TCM06 A



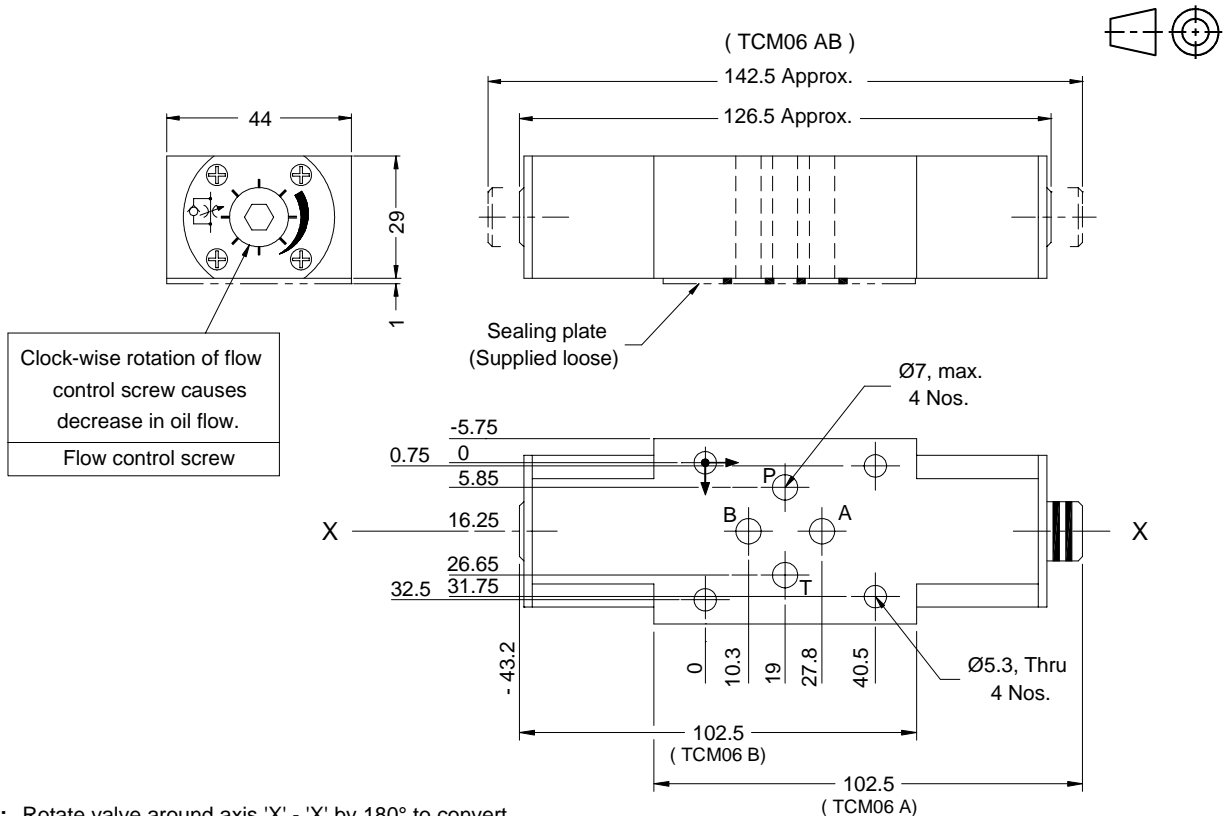
TCM06 B



TCM06 AB

Unit dimension

Dimensions in mm.



Note : Rotate valve around axis 'X' - 'X' by 180° to convert from METER-OUT control to METER-IN control.

Polyhydron Pvt. Ltd.
78-80, Machhe Industrial Estate,
Machhe, Belgaum - 590 014. INDIA.

Phone : +91-(0)831-411001
Fax : +91-(0)831-411002
E-mail : polyhydron@vsnl.com
Website : www.polyhydron.com



**THROTTLE / CHECK VALVE
MODULAR CONSTRUCTION
TCM 06**

ENGINEERING

2

Ref. No. P05973

Technical specification

Construction Modular, Spool type, Non-pressure compensated.

Mounting Modular type, Conforming to IS 10187,
ISO 4401-AB-03-4-A, DIN 24340.

Mounting position Optional

Direction of flow For ports P & T free flow in either direction.
For ports A & B free flow in one direction.
Adjustable throttled flow in opposite direction as
indicated on the valve dial plate.

Operating pressure 315 bar for all ports.

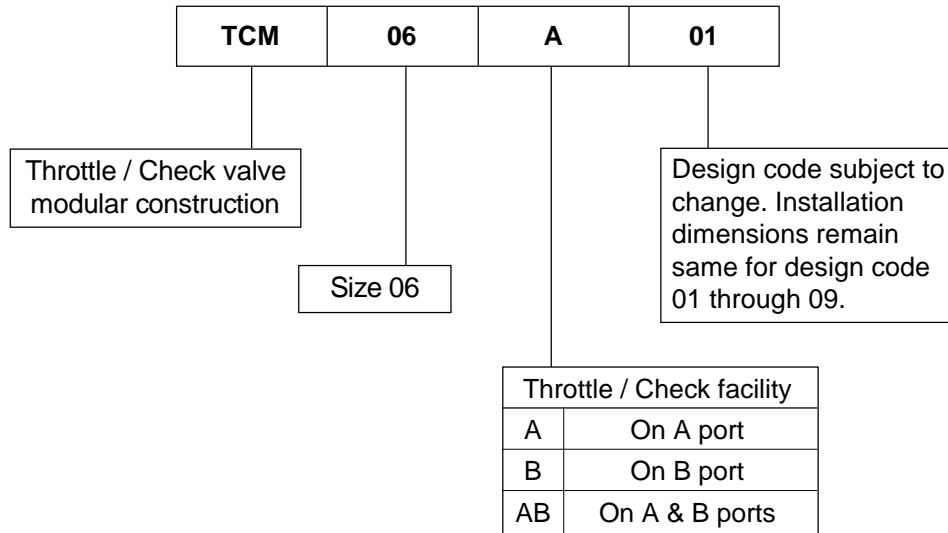
Viscosity range 10 cSt to 380 cSt.

Fluid temperature range -10 °C to +80 °C.

Nominal flow handling capacity 35 l/min.

Mass 0.9 kg.

Ordering code



Note : Standard valve comes with METER-OUT option.
To convert to METER-IN. Refer Note in Unit dimension.



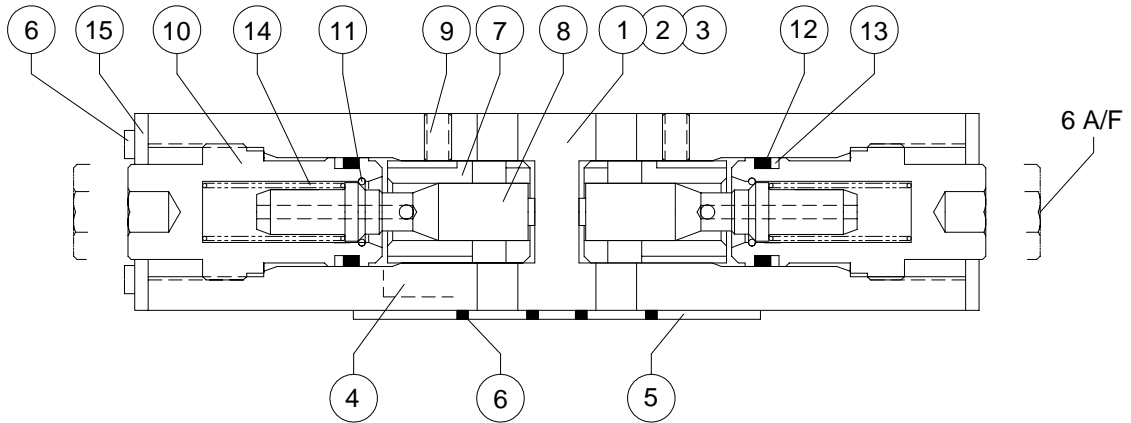
THROTTLE / CHECK VALVE
MODULAR CONSTRUCTION
TCM 06

SERVICE

3

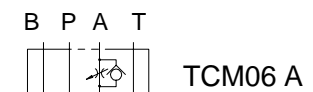
Ref. No. P05973

Sectional View & Parts List

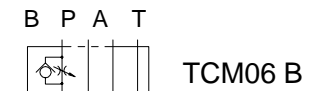


Part no.	S No.	Description.	Qty.
42101	01	Body TCM06AB	1
42102	02	Body TCM06A	1
42103	03	Body TCM06B	1
42104	04	Lable	1
42105	05	Sealing Plate	1
42106	* 06	O'Ring (8.5 id x 1.8 csd)	4
42107	07	Throttle Bush	1
42108	08	Spool	1
42109	09	Grub Screw	1
42110	10	Adjusting Screw	1
42111	11	Spring Ring (8 id x 1 csd)	1
42112	* 12	O'Ring (12.8 id x 1.8 csd)	1
42113	* 13	Backup Ring (13.3 id x15.98od x1.2 th)	1
42114	14	Spring	1
42115	15	Symbol Plate	1
42116	16	CRPH Screw	4
42199	99	Interface Cap	1

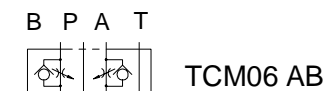
Hydraulic symbol



B1 P1 A1 T1



B1 P1 A1 T1



B1 P1 A1 T1

Note : * Recommended spare kit.

While ordering the individual spares / spare kit / give part no. and complete details of model code as on the label.



THROTTLE / CHECK VALVE
MODULAR CONSTRUCTION
TCM 06

SERVICE

4

Ref. No. P05973

All rights reserved.
Subject to revision.

P05973